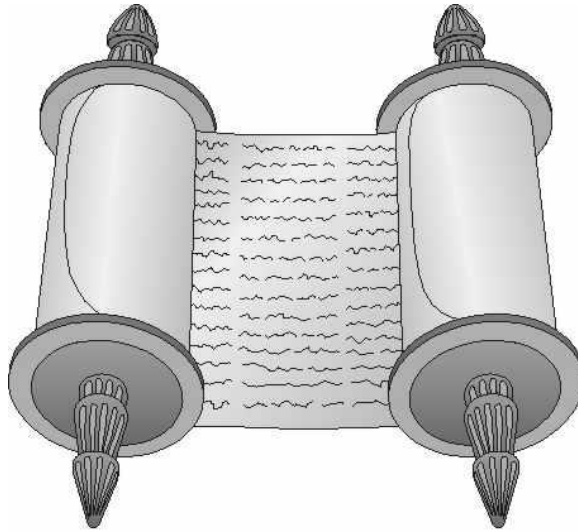


# Fletcher's Chapel United Methodist Church

8330 Fletcher's Chapel Road, King George, VA 22485

Church: (540) 775-7247 Parsonage: (540) 625-2834

[www.fletcherschapel-kinggeorge-va.org](http://www.fletcherschapel-kinggeorge-va.org)



**He unrolled the scroll and found  
the place where it was written:**

**“The Spirit of the Lord is  
upon me, because he has  
anointed me to bring  
good news to the poor.”**

**Luke 4.17-18**

## **\*Chiming of the Hour**

### **The Call to Worship**

God built the heavens, the earth, and everything in them.

**God calls us to be builders as well.**

God calls us to build our lives:

**To restore broken places and continue to grow.**

God calls us to build our faith:

**To study the Word and ponder its interpretation.**

God calls us to build our community:

**To build bridges of understanding and systems of justice.**

God calls us to build history by fulfilling the promises of Scripture:

**To preach the good news of God's love and liberation for all people.**

### **\*Hymn**

"Stand Up and Bless the Lord"

UMH 662

### **The Opening Prayer**

Holy One, we thank you for the gift of the Bible, for its psalms and poems, stories, histories, teachings, and prophecies. May the Holy Spirit who called out those ancient writings continue to call us out today, that our lives may reflect the first sermon of Jesus, our crucified and risen Christ, who brings good news to the poor and lets the oppressed go free. In Jesus' name we pray. **Amen.**

## **Welcome and Announcements**

### **The Children's Message**

### **Time of Sharing and Prayer**

Celebrations of God's Grace and Prayer Concerns

The Pastoral Prayer/The Lord's Prayer (UMH 895)

### **\*Hymn**

"How Great Thou Art"

UMH 77

### **Prayer for Illumination**

Just as we see your wisdom and glory in nature around us, God, may we hear your Word for us in the words of these readings, that by the power of the Holy

Spirit we may be drawn closer to you. Through your great preacher, Jesus Christ, we pray. **Amen.**

**The New Testament Reading** – 1 Corinthian 12:12-31a p. 1729

**The Gospel Reading** – Luke 4:14-21 p. 1546

This is the Word of God for the people of God.  
**Thanks be to you, Lord Jesus Christ.**

**The Message** “Good News”

**The Receiving of God’s Tithes and Our Offerings**

**The Response:** “In the Lord, I’ll Be Ever Thankful” (2x)

*In the Lord, I’ll be ever thankful, in the Lord I will rejoice!*

*Look to God, do not be afraid. Lift up your voices, the Lord is near,*

*Lift up your voices: The Lord is near.*

**\*The Doxology** (UMH 95)

**\*The Prayer of Dedication:** God of life and of new life, bless these gifts that we have given that they may further your reign in this world. **Amen.**

**\*Hymn** “O For a Thousand Tongues to Sing” UMH 57

**\*The Charge and Blessing:**

Go into the world and proclaim the good news!

As we go from this place on this day holy to God we rejoice in the strength of God, we fix our eyes on the grace of Christ, and we drink deeply of the Spirit, who makes us one. **Amen.**

**Postlude** “Bless the Lord” (2X)

Bless the Lord, my soul, and bless God’s Holy name.

Bless the Lord, my soul, who leads me into life.

*\*Please stand as you are able.*

| <b>Assisting with Worship</b> | <b>Today</b>    | <b>February 3, 2019</b> |
|-------------------------------|-----------------|-------------------------|
| <b>Scripture Readers</b>      | Rob Minx (8:30) | Tina Lauber (8:30)      |
| <b>Greeters</b>               |                 | Volunteer Needed        |

**Volunteers Needed:** The sign-up sheet for January & February 2019 is available now.

**Welcome Cards** – We welcome all our guests. There are welcome cards located in the pews. Please take a moment to fill one out and place it into the offering plate during the collection.

### **About Fletcher’s Chapel Church**

**Our Vision** is to be a beacon in the name of Jesus Christ to the world, to make disciples of Jesus Christ and to send them forth to proclaim God’s Word and serve God’s will everywhere and always.

**Our Mission:** “<sup>19</sup>Go therefore and make disciples of all nations, baptizing them in the name of the Father and of the Son and of the Holy Spirit, <sup>20</sup>and teaching them to obey everything that I have commanded you. And remember, I am with you always, to the end of the age.” -- Matthew 28:19-20

**Email:** [reaves.michael.b@gmail.com](mailto:reaves.michael.b@gmail.com) or [fletcherschapel@verizon.net](mailto:fletcherschapel@verizon.net)

**“Like” us on Facebook:** Search for “Fletcher’s Chapel UMC-King George, VA” and when you find our page, click “Like” so you can keep up with the latest news and events at Fletcher’s Chapel.

|                                 |                          |
|---------------------------------|--------------------------|
| <b>MINISTERS:</b>               | <b>All Members</b>       |
| <b>PRESIDING BISHOP:</b>        | <b>Sharma D. Lewis</b>   |
| <b>DISTRICT SUPERINTENDENT:</b> | <b>Theodore Smith</b>    |
| <b>PASTOR:</b>                  | <b>Michael B. Reaves</b> |
| <b>LAY LEADER:</b>              | <b>Marie William</b>     |
| <b>MUSICIAN</b>                 | <b>Elizabeth Pruett</b>  |

**January 27, 2019 – February 3, 2019**

|                       |                |  |
|-----------------------|----------------|--|
| <b>Sunday, 1/27</b>   | <b>8:30am</b>  | Worship  |
|                       | <b>9:45am</b>  | Sunday School Opening                          |
|                       | <b>10:00am</b> | Sunday School                                  |
|                       | <b>11:00am</b> | Worship  |
| <b>Thursday, 1/31</b> | <b>7:00pm</b>  | Brainstorming Session 2                        |
| <b>Sunday, 2/3</b>    |                | <b>Communion Sunday/Canned Food Collection</b> |
|                       | <b>8:30am</b>  | Worship  |
|                       | <b>9:45am</b>  | Sunday School Opening                          |
|                       | <b>10:00am</b> | Sunday School                                  |
|                       | <b>11:00am</b> | Worship  |

**Upcoming:**

|                        |                |  |
|------------------------|----------------|--|
| <b>Wednesday, 2/6</b>  | <b>9:30am</b>  | Heritage Hall Nursing Home Ministry                    |
| <b>Saturday, 2/9</b>   | <b>9:30am</b>  | United Methodist Women                                 |
| <b>Sunday, 2/10</b>    |                | <b>Loose Change Collection</b>                         |
|                        |                | <b>Coffee Fellowship (Hosted by the Lauber Family)</b> |
| <b>Wednesday, 2/13</b> | <b>10:00am</b> | Morning Prayer Group                                   |
| <b>Thursday, 2/14</b>  | <b>7:00pm</b>  | Administrative Council                                 |
|                        | <b>7:30pm</b>  | Finance Committee                                      |
| <b>Friday, 2/15</b>    | <b>4:00pm</b>  | Serve Dinner at the Brisben Center                     |
| <b>Saturday, 2/16</b>  | <b>11:00am</b> | UMW Lunch at the Four Seasons                          |

**Birthdays This Week**

**1/28** Shannon Hartung **1/29** Troy Thompson



**Worship Time Survey:** Please take time to complete the survey and return it to the Pastor.

**Brainstorming Session #2:** As part of our efforts to develop and strengthen our intentional discipleship, we will have another brainstorming session on Thursday, January 31 at 7:00pm. At our first session we decided to focus on ways we can partner with Sealston Elementary School. Pastor Mike is meeting with school administrators to find out what they need. We will come together to begin a plan to meet those needs. We need everyone who can come and be part of the dialogue. There will be a time to discuss other ways the church can reach out to our community as well. Please come as we work together in ministry.

**Pick up a copy** of the Church Budget and a list of Officers and Committee members for 2019. You will find both on the table below the literature rack in the sanctuary entrance.

### **Prayer Concerns:**

**Prayers for our Community and the World:** The congregation and guests of Fletcher's Chapel and our community; the residents and staff of the Thurman Brisben Center; Our Bishop and her cabinet.

**Prayers for Our Church Family:** Jeanne Bullock, Dee Campbell, Patricia Clatterbuck, Delores Coates, John Earl Coates, Audrey Davenport, Robin DeWaters, Ruby Hawkins, Louise Henderson, Grace Radolinski, Bob Hunter, Evelyn Jackson, Lolita James, Turner Minx, David Pitts, Clifton Seay, Shirley Seay

**Prayers for our Families and Friends:** Patsy Wenger Bade, Gavin Balderson, Donnie Bullock, Mitchell Burroughs, Barbara Canady, JoAnn Carpenter, Drew Cleveland, Elwood Coates, Sandy Collier, Judy Fisher, David Frazier, Frazier Family, Gage Ford & Family, Bobby Garner, John Gayle, Anna Graninger, Chip Hall, Faye Holt, Clair Hunkins, Floyd Johnston. David Kane, Nancy Chappell Madison, Jim McCurtain, John Merrimack, Daniel (D.P.) Newton, Norman Price, Joey Rowe, Malone Schooler, Brian Scott, Jean Stone, Billy Sullivan, Linda Chappell Sullivan, Ryland Tedeton, Mike Warnke, Fred Weaver, Cynne White Wolf, Wayne Young

***Prayer Request Cards*** are available in the pew rack